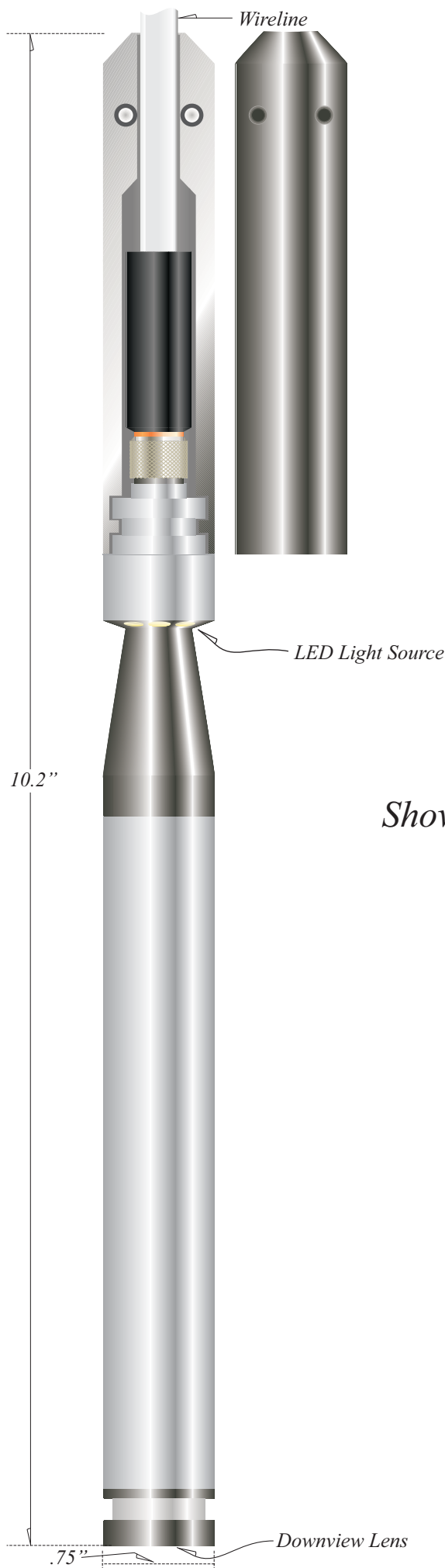


EQUIPMENT LIST

TOOL NO. #

26

0.75" DIA. SINGLE LENS  
DOWN VIEW CAMERA



*Shown Actual Size*

4456 Via St. Ambrose  
Claremont, CA 91711

(800) 919-7555 Toll Free  
(909) 625-6262 Voc  
(909) 399-3180 Fax

[www.PacificSurveys.com](http://www.PacificSurveys.com)

**PACIFIC  
SURVEYS**