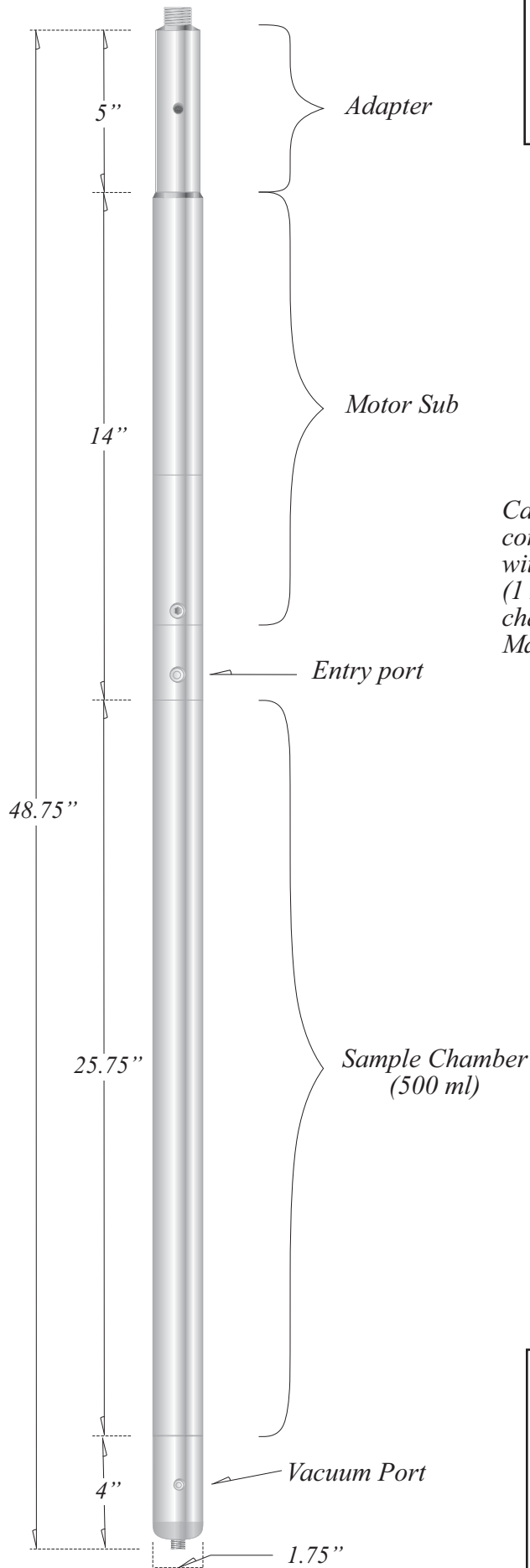
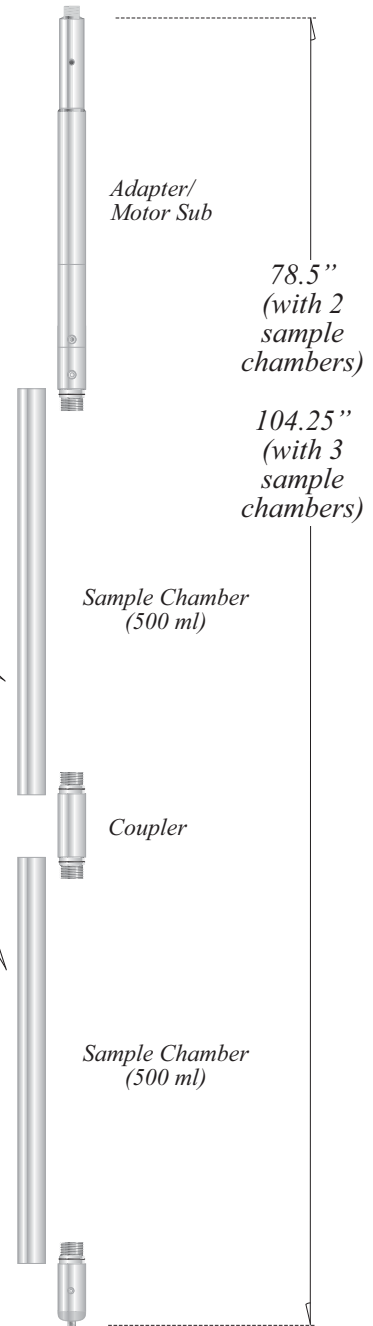


500 ML FLUID SAMPLER



Can be used in combination with (2) chambers (1 Liter) or (3) chambers (1.5 Liters). Max: 3



4456 Via St. Ambrose
Claremont, CA 91711

(800) 919-7555 Toll Free
(909) 625-6262 Voc
(909) 399-3180 Fax

www.PacificSurveys.com

PACIFIC SURVEYS