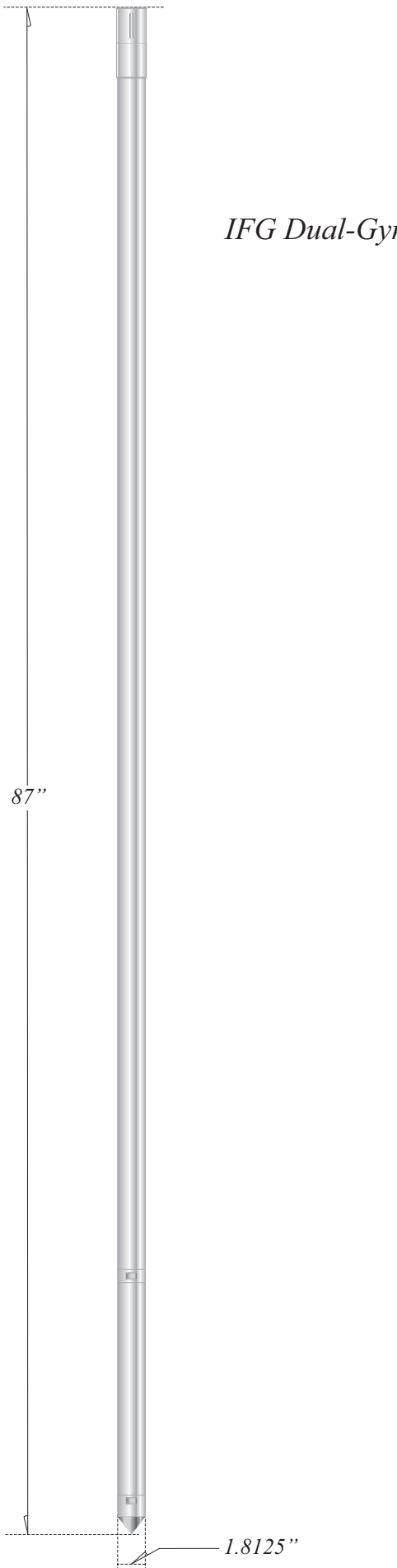


IFG Dual-Gyroscope



SPECIFICATIONS AT A GLANCE

Diameter: 2"

Length: 87"

Weight: 13.2 Lbs.

Sensor Design: Gimbal mounted rotation mass

Rotation Speed: 15,000 rpm

Sensitivity: 0.0001°/sec

Maximum Response 100°/sec

Dynamic Range 360°

Maximum Load: 200 lbs.

Vibration: Random (20-2000 Hz) 30g

Vibration: Shock 600g, 30msec

Tilt: Dynamic Range +/-90°, Sensitivity 0.01°

Sample Period: 2 samples per second

Maximum Depth: 6550'

Temperature

Storage: -31 to +158° F

Operating: 0 to +158° F

4456 Via St. Ambrose
Claremont, CA 91711

(800) 919-7555 Toll Free
(909) 625-6262 Voc
(909) 399-3180 Fax

www.PacificSurveys.com

**PACIFIC
SURVEYS**