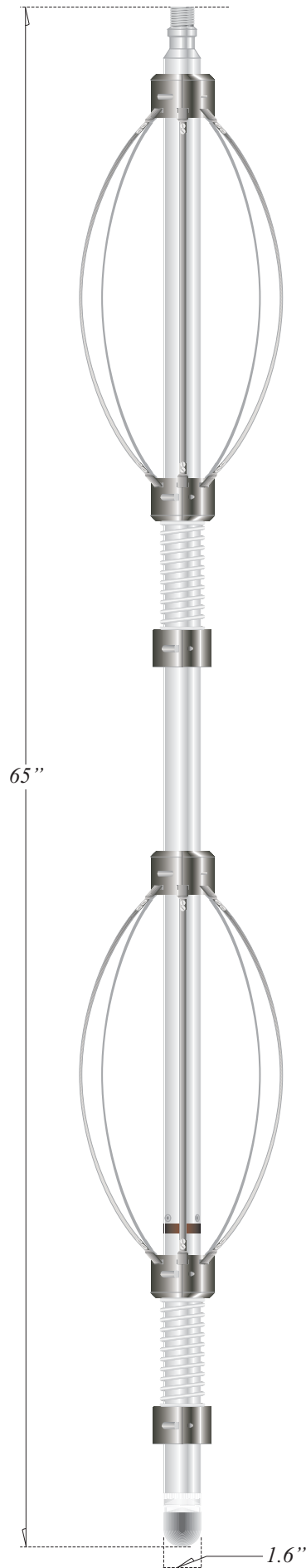


O P T I C A L
B O R E H O L E
T E L E V I E W E R

ALT Optical Borehole Televiewer



SPECIFICATIONS AT A GLANCE

Diameter: 1.6"

Length: 65"

Weight: 15.4 Lbs.

Max temp: 122° F

Max pressure: 200 bars

*Borehole diameter:
1 3/4" to 24" depending on borehole conditions*

*Digital Data Transmission:
up to 500 Kbps depending on wireline,
realtime compressed*

*Sensors: Sensor type: downhole DSP based digital
CCD camera*

Optics: Plain polycarbonate conic prism system

Azimuthal Resolution: 90/180/360 or 720 pixels /360°

Vertical Resolution: depth or time sampling rate

Color Resolution: 24 bit RGB value

White Balance: automatic or user adjustable

Aperture & Shutter: automatic or user adjustable

*Special Functions:
User configurable real time digital edge
enhancing
User configurable ultra low light condition mode*

Orientation: 3 axis magnetometer and 3 accelerometers

Inclination Accuracy: 0.5 degree

Azimuth Accuracy: 1.0 degree

4456 Via St. Ambrose
Claremont, CA 91711

(800) 919-7555 Toll Free
(909) 625-6262 Voc
(909) 399-3180 Fax

**PACIFIC
SURVEYS**

www.PacificSurveys.com