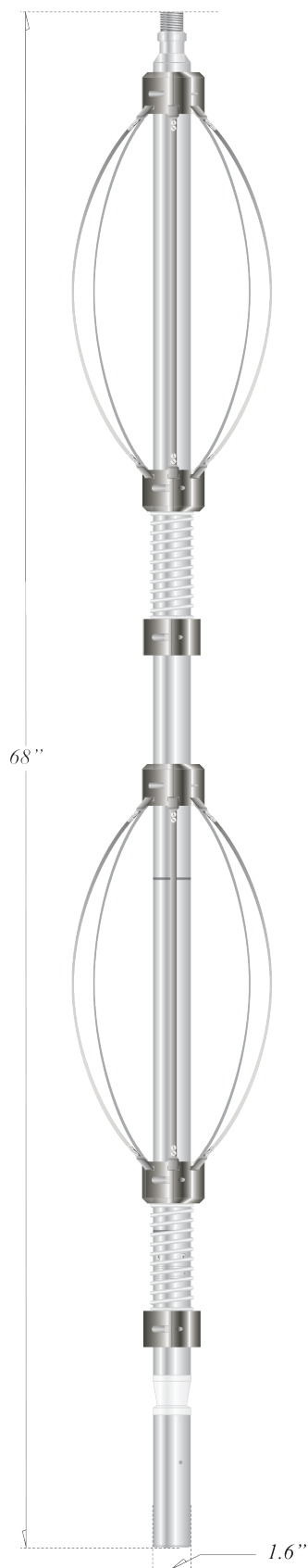


Acoustic Borehole Televviewer Tool



Description: Creates a continuous acoustic image of the borehole split along the north axis presented in a two dimensional graph. Features such as fractures and bedding planes can be determined by dip angle and dip direction.

Diameter: 1.6"

Length: 68"

Weight: 13.2 Lbs.

Max temp: 70°C

Max pressure: 200 bar

Borehole diameter: 2" to 21" depending on mud conditions

Digital Data Transmission: up to 500 Kbits per second depending on wireline.

Sensors: Acoustic Sensor: fixed transducer and rotating focusing mirror Focusing: 3" or 6" Frequency: 1.2 MHz

Acoustic Beam Width: 1.5 mm (-3db) focal distance

Rotation Speed: up to 10 revolutions per second

Automatic Samples per Revolution: 72, 144, 288

Caliper Resolution: 0.08mm

Orientation: 3 axis magnetometer, 3 accelerometers

Inclination accuracy: +/- 0.5 degree

Azimuth accuracy: +/- 1.0 degree

All Images & Illustrations Copyright © 2009 Pacific Surveys, LLC.