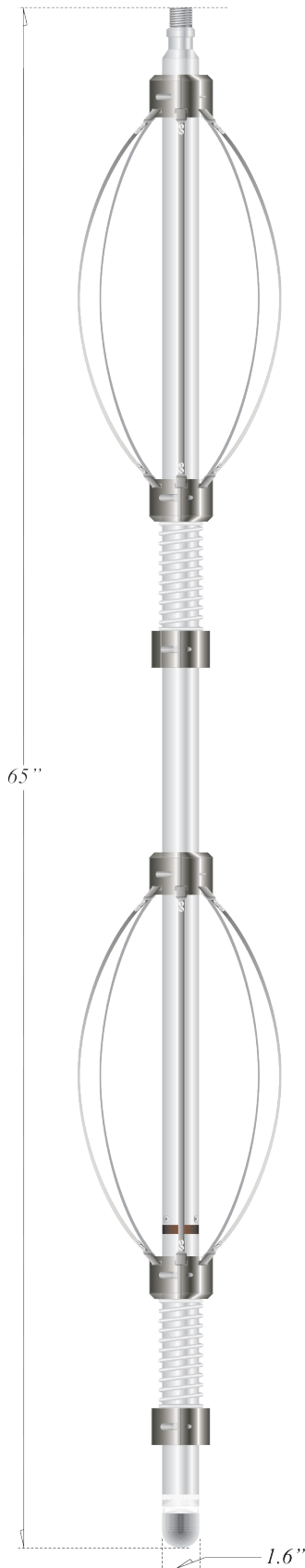


Optical Borehole Televviewer Tool



Description: Creates a continuous acoustic image of the borehole split along the north axis presented in a two dimensional graph. Features such as fractures and bedding planes can be determined by dip angle and dip direction.

Diameter: 1.6"

Length: 65"

Weight: 15.4 Lbs.

Max temp: 122° F

Max pressure: 200 bars

Borehole diameter: 1 3/4" to 24" depending on borehole conditions

Digital Data Transmission: up to 500 Kbps depending on wireline, realtime compressed

Sensors: Sensor type: downhole DSP based digital CCD camera

Optics: Plain polycarbonate conic prism system

Azimuthal Resolution: 90/180/360 or 720 pixels /360°

Vertical Resolution: depth or time sampling rate

Color Resolution: 24 bit RGB value

White Balance: automatic or user adjustable

Aperture & Shutter: automatic or user adjustable

Special Functions: User configurable real time digital edge enhancing User configurable ultra low light condition mode

Orientation: 3 axis magnetometer and 3 accelerometers

Inclination Accuracy: 0.5 degree

Azimuth Accuracy: 1.0 degree.

All Images & Illustrations Copyright © 2009 Pacific Surveys, LLC.